



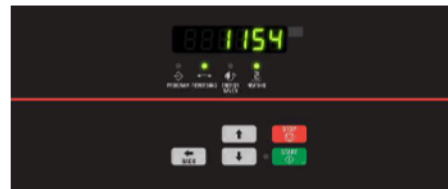
STT45
45 lb (20 kg)

Tumble Dryers

Our line of stack tumble dryers provides double the capacity of Speed Queen® single pocket tumble dryers while using only half the floor space. Plus, our patented oval cylinder perforations solve a common, highly damaging problem, by allowing stray screws to pass through without doing large amounts of damage to the dryer's sweep sheets.

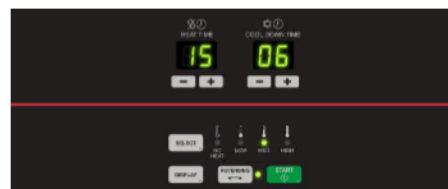
- Large easy-to-clean lint compartment.
- Fewer moving parts mean fewer maintenance problems and less wear.
- High-performance heater box increases energy efficiency, reduces drying times and provides a more comfortable operating environment.

- Axial airflow pattern with the sealed cylinder rims delivers the fastest and most efficient drying results.
- Two drying pockets in the space of one unit helps increase drying capacity.
- Single gas, electric and exhaust hookups simplify installation and are less expensive than installing twice the number of single units.



Quantum® Control

Revolutionary Quantum® technology combines equipment controls, programming and wireless networking into one complete OPL management system, giving you total control over your laundry room from any computer, anywhere in the world. Advanced diagnostics and audit data reports help you catch errors before they become bigger issues. Quantum is designed to help you reduce costs, decrease your downtime and increase your throughput.



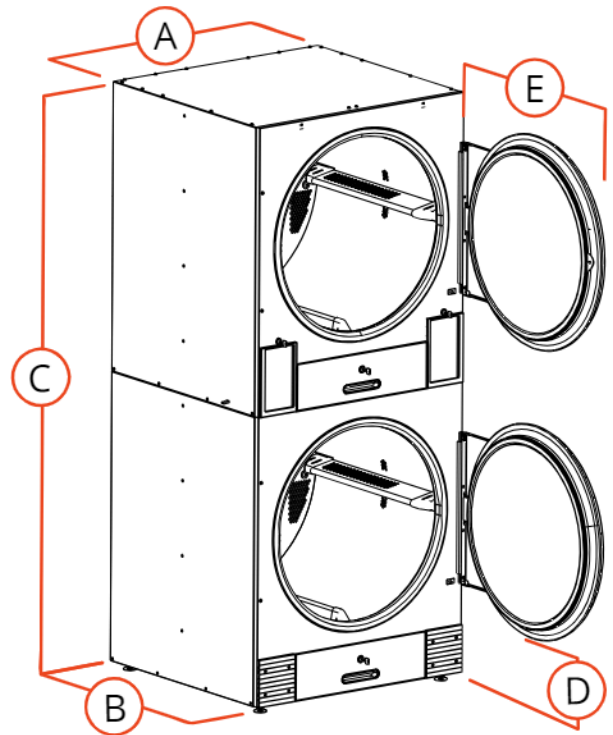
Dual Digital Control

With features that include one-touch cycle repeat, automatic extended tumble and large digital countdown display, it's simple to set your drying time, temperature and cool down on the fly.

Stack Tumble Dryer

Specifications

		STT45	
Control Option	Quantum, Dual Digital		
Capacity - lb (kg)	45 (20) x 2		
Overall Width - in (mm)	34.5 (875)		
Overall Depth - in (mm)	49.5 (1260)		
Overall Height - in (mm)	81.3 (2065)		
Cylinder Diameter - in (mm)	33.0 (838)		
Cylinder Depth - in (mm)	30.0 (762)		
Cylinder Volume - cu. ft (liters)	14.8 (420)		
Reversing Cylinder	Standard		
Door Opening Size - in (mm)	26.9 (683)		
Heat Input Power	Gas Models - Per Pocket	95,000 x 2 Btu/hr	
Gas Connections* - in (npt)	0.5		
Air Outlet - in (mm)	1 x 10 (250) Oval		
Motor - HP	Fan	2 x 0.5	
	Cylinder	2 x 0.5	
Airflow - cfm	2 x 600 (285)		
Electrical Specs - amps	Gas		
	X	200-240V/50/60/1/3	12
	N	440-480V/50/60/3	6
Shipping Dimensions Approx. - in (mm)	Width	35.5 (900)	
	Depth	54.0 (1370)	
	Height	84.9 (2160)	
Net Weight - lb (kg)	690 (315)		
Shipping Weight - lb (kg)	735 (335)		
Agency Approvals	CSA		



A.	Overall Width - in (mm)	34.5 (875)
B.	Overall Depth - in (mm)	49.5 (1260)
C.	Overall Height - in (mm)	81.3 (2065)
D.	Door Bottom to Floor - in (mm)	9.3 (235)
E.	Door Swing - in (mm)	31.9 (810)

* LP gas available for 75 lb capacity only. Field conversion kits available for other capacities.

Tumble dryer models are made to suit a variety of electrical service characteristics. See your Speed Queen distributor for specifications.

For further details on installation, refer to Installation, Operation and Maintenance instructions supplied with the tumble dryer. Amperage ratings available in Installation Manual.

For the most accurate information, the installation guide should be used for all design and construction purposes. Due to continuous product improvements, design and specifications subject to change without notice. The quality management systems at Alliance Laundry Systems are registered to ISO 9001.

©2022 Alliance Laundry Systems LLC

Speed Queen by Alliance Laundry Systems

AO22-0006

speedqueencommercial.com